

# Modificação IC-7100 ICOM

## Power - SSB

Dear Friend.

Jorge, py3- CC

This IC-7100 , ALC modification, is NOT official.

ICOM is not involved in this at all.

**You must know also the following :**

- 1) any modification you will made inside the transceiver violates the warranty of your radio.
- 2) you do it on your own risk.

**3) it is not a secret you can send it to your friends, if you wish.**

and

4) it is made by me as a radio amateur, for mine and my friends radios and I don't accept any responsibility for any damage of your radio or any violation of your country's low's.

**SO LET GET TO THE POINT**

2 modifications are available.

**a-** The "soft" one, that almost doubles the average SSB talking power, is to short the point (A) to the ground, see photo N°1 .

**b-** The second the "extreme" one, for "full power", is to add a 10uF capacitor in parallel to R1522 see photo N°2

Good experiments

BEST 73's

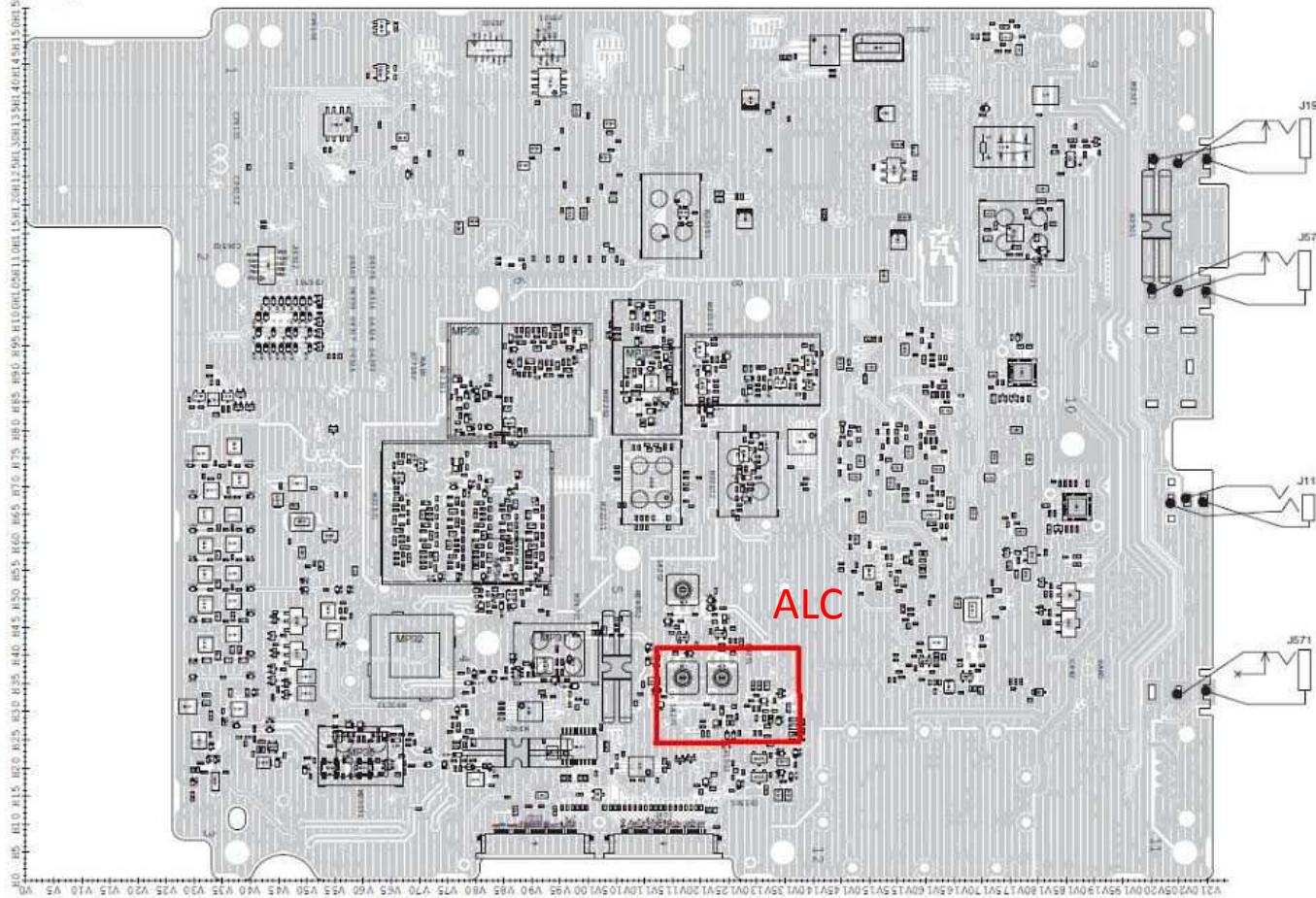
SV0-CL; Marios

jan2016

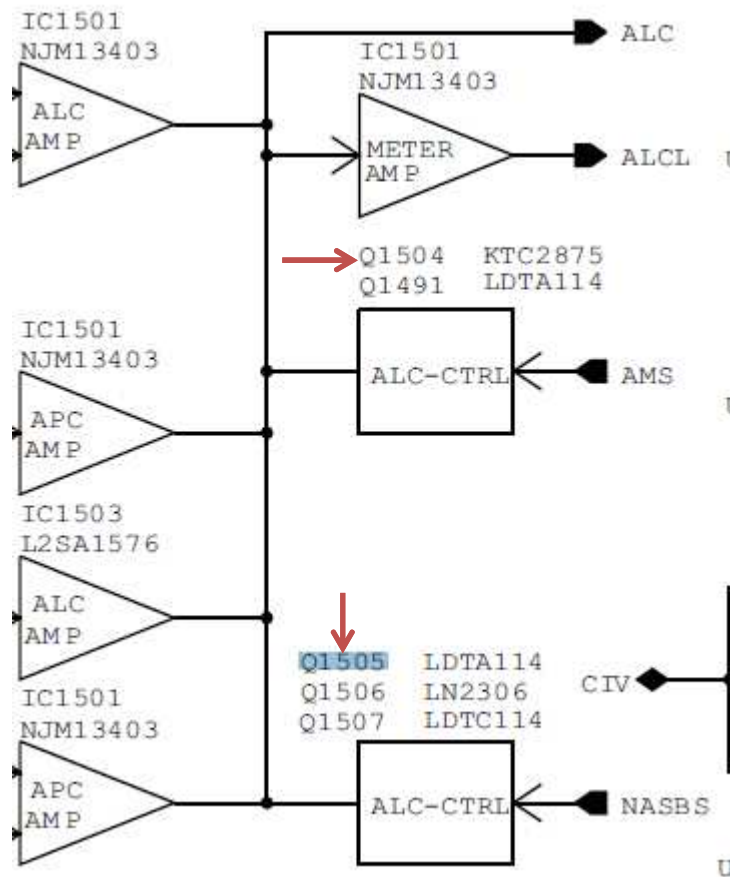
# Modificação IC-7100 ICOM Power - SSB

The combination of top side and bottom side of this page shows the actual configuration of IC board.

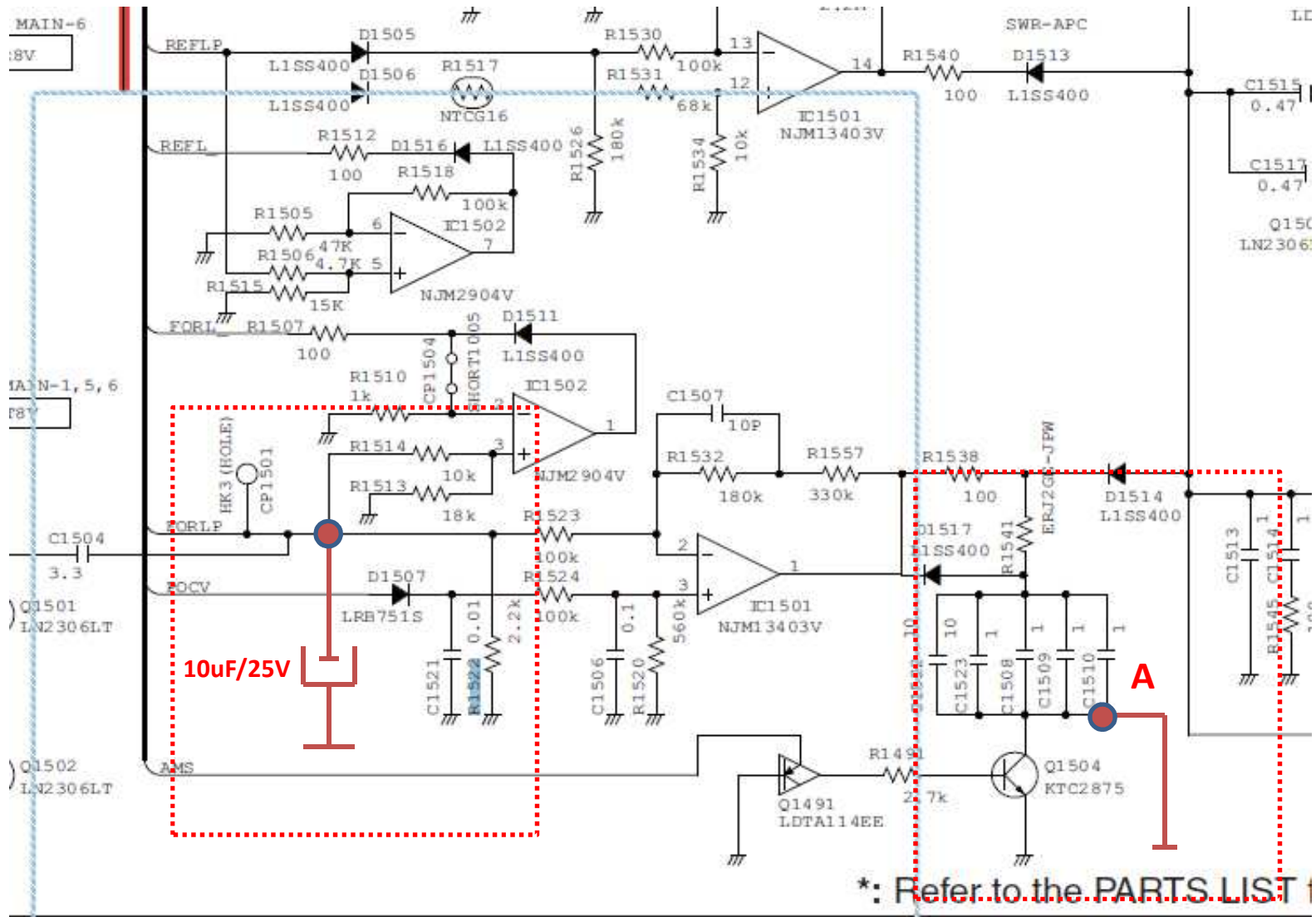
• MAIN UNIT B-7718F  
(BOTTOM VIEW)



# Modificação IC-7100 ICOM Power - SSB



# Modificação IC-7100 ICOM Power - SSB



# Modificação IC-7100 ICOM Power - SSB

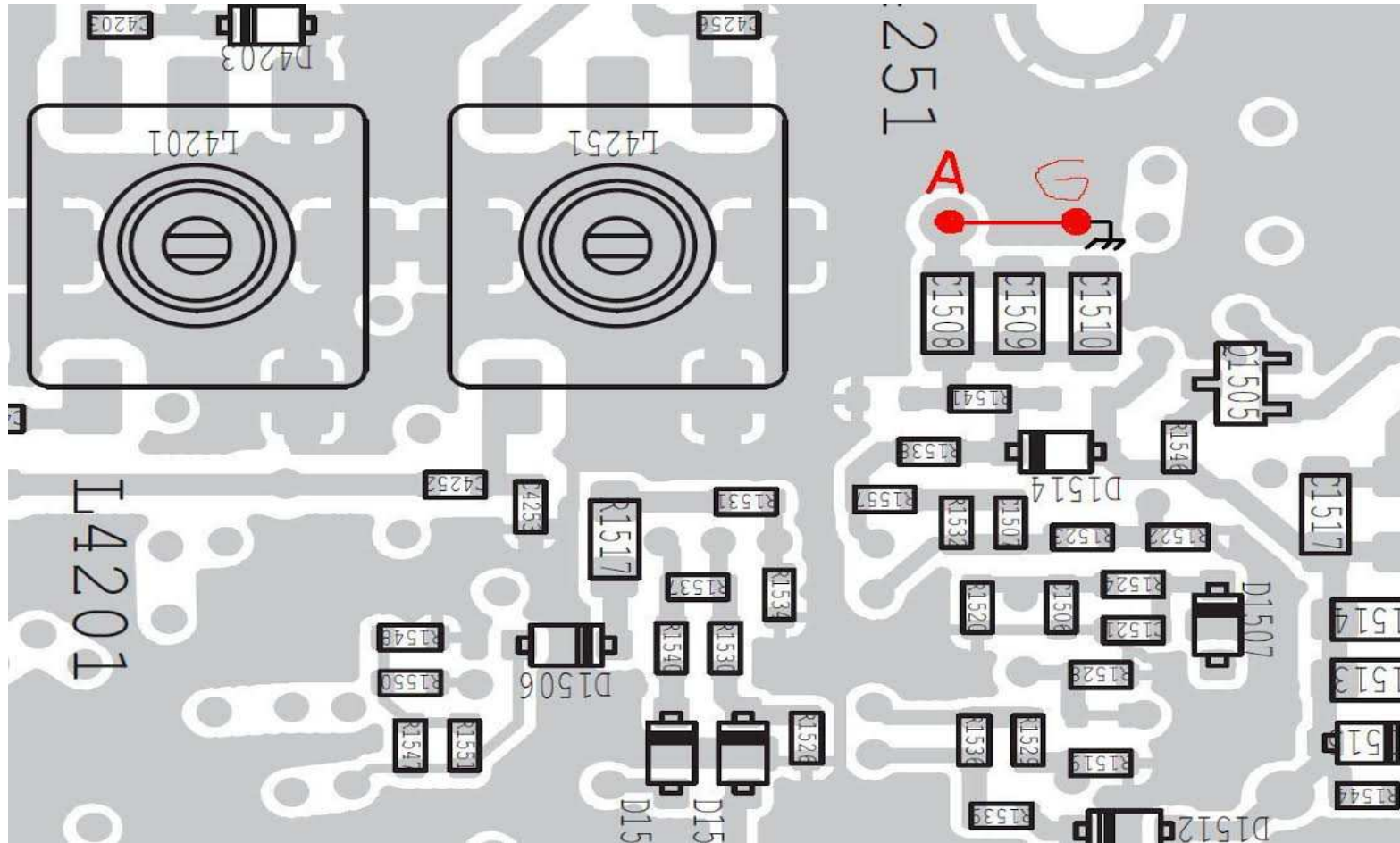


Foto 1

# Modificação IC-7100 ICOM Power - SSB

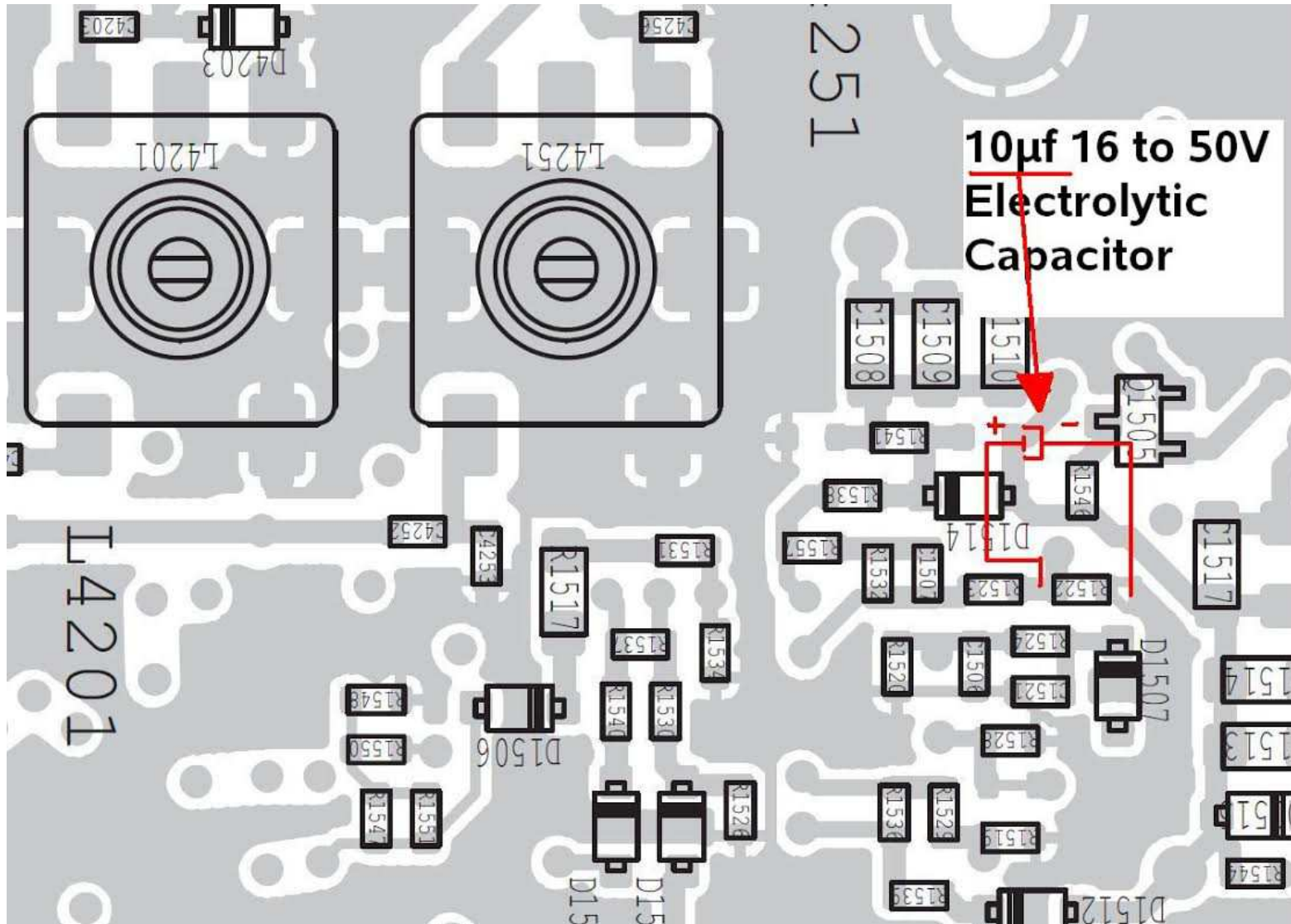
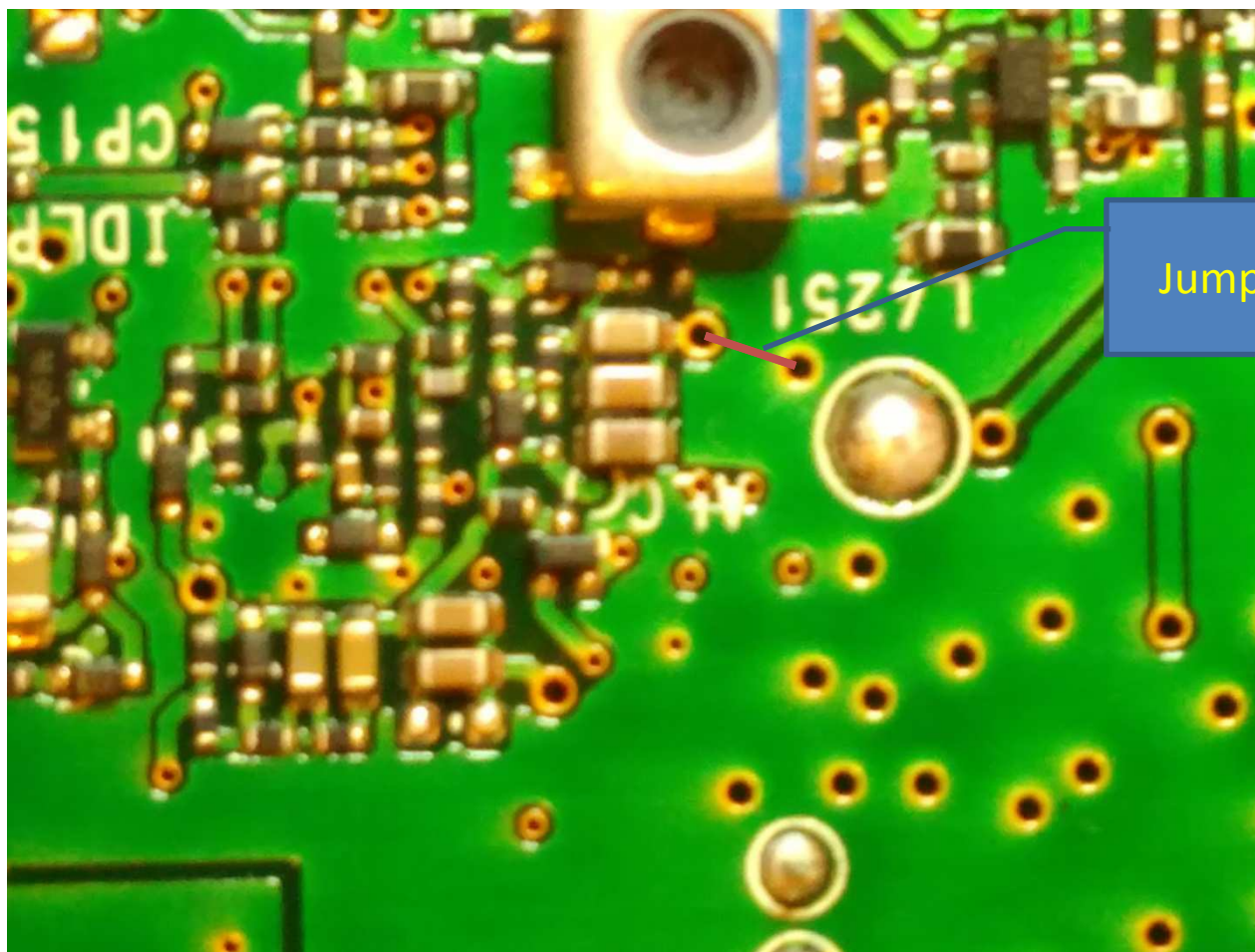


Foto 2

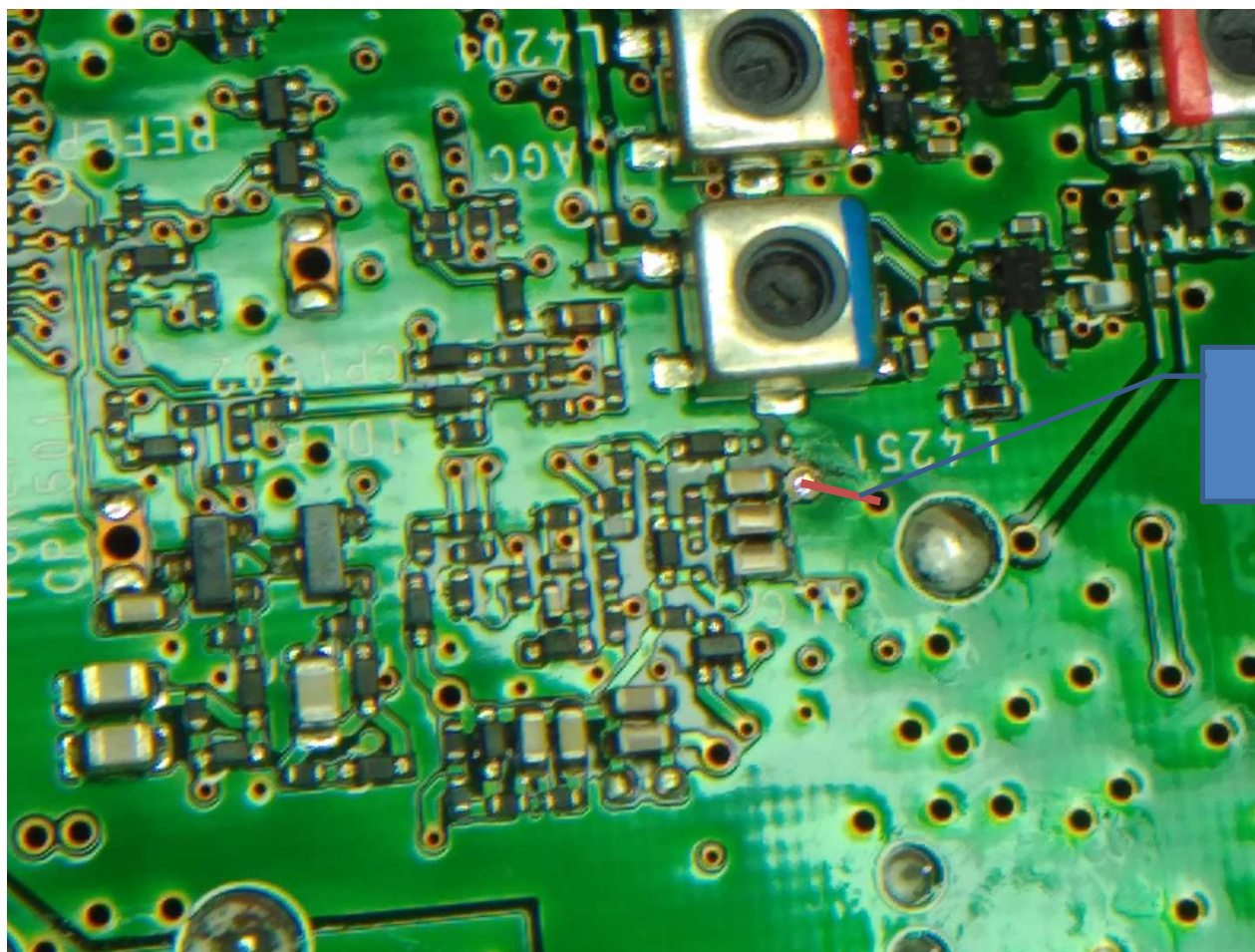
# Modificação IC-7100 ICOM Power - SSB



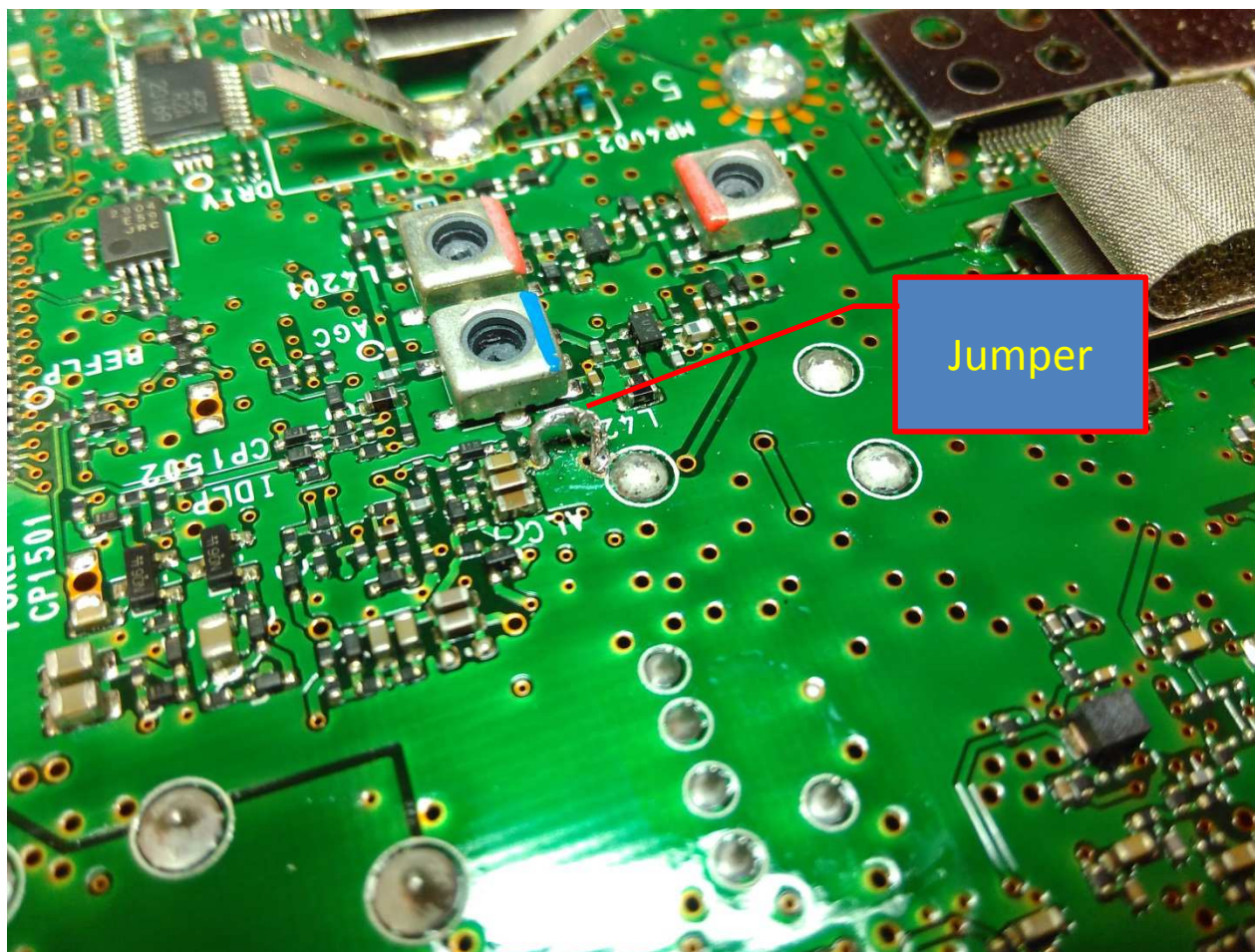
# Modificação IC-7100 ICOM Power - SSB



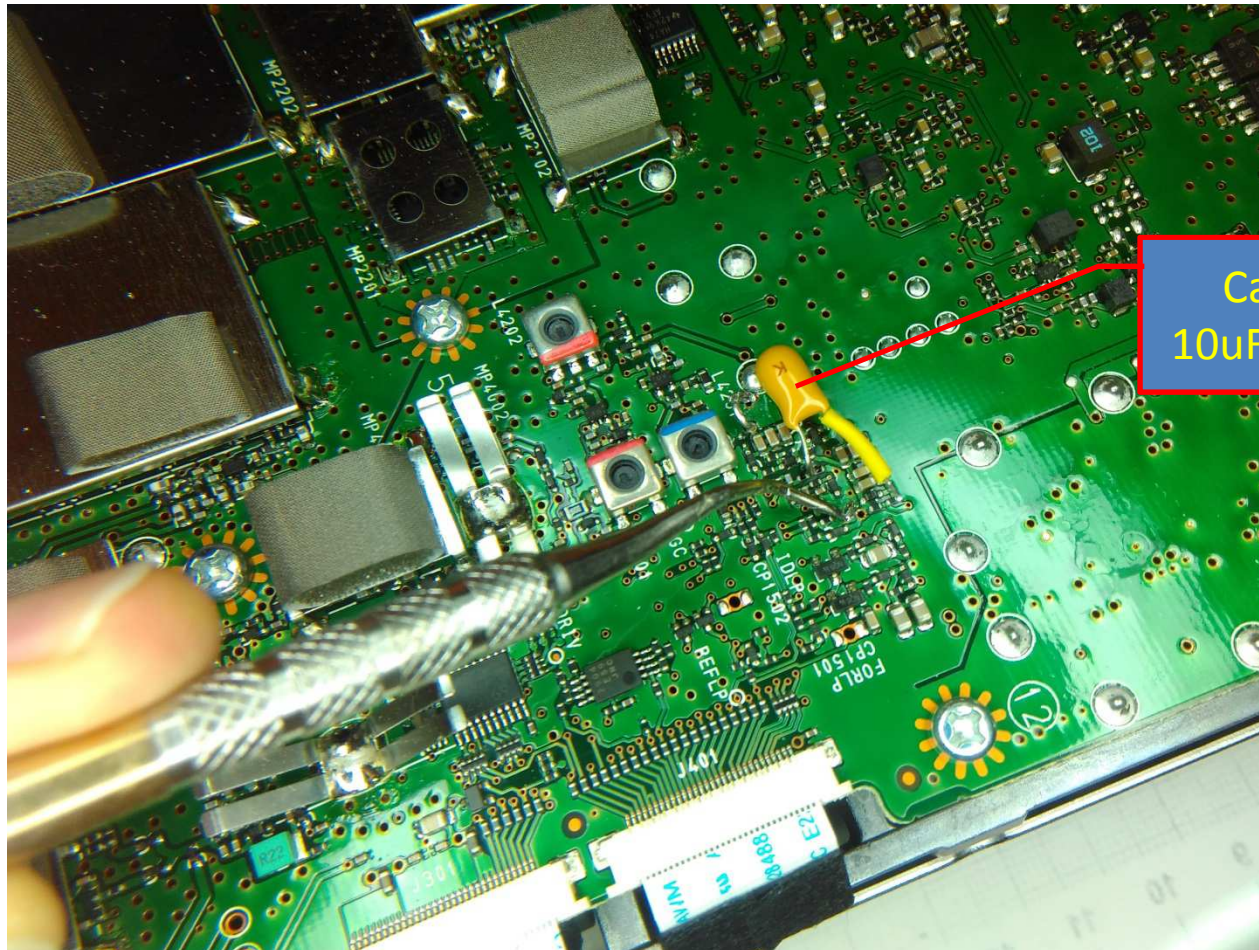
# Modificação IC-7100 ICOM Power - SSB



# Modificação IC-7100 ICOM Power - SSB



# Modificação IC-7100 ICOM Power - SSB



Cap.  
10uF/25V

# Modificação IC-7100 ICOM Power - SSB

